

# Product Specifications

Receiving card

**HD-R716**

V1.0

## 1. Overview

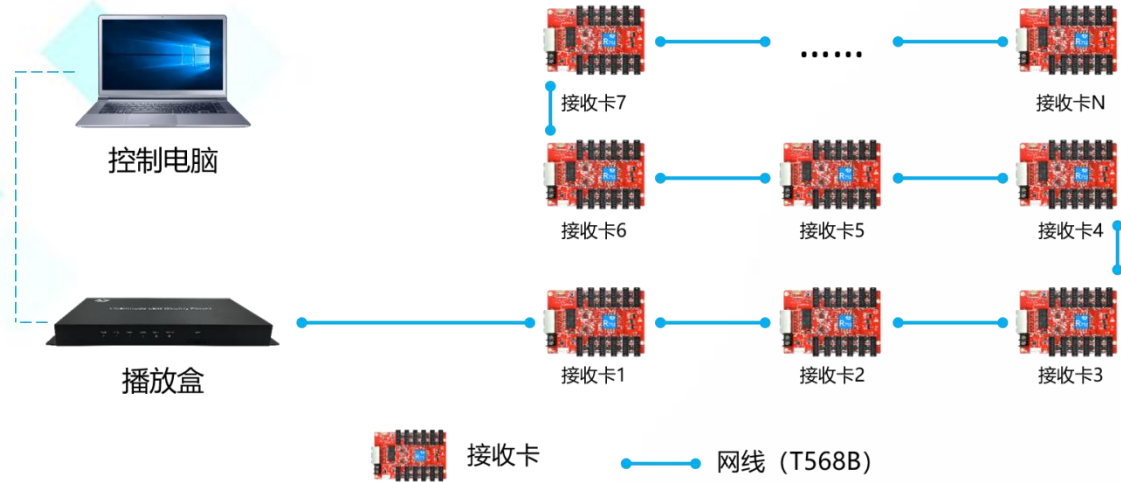
R716, on-board 16\*HUB75E ports, compatible with R500/R508/R512/R512S/R512T/R516/ R516T/R612, etc.

## 2. Parameters

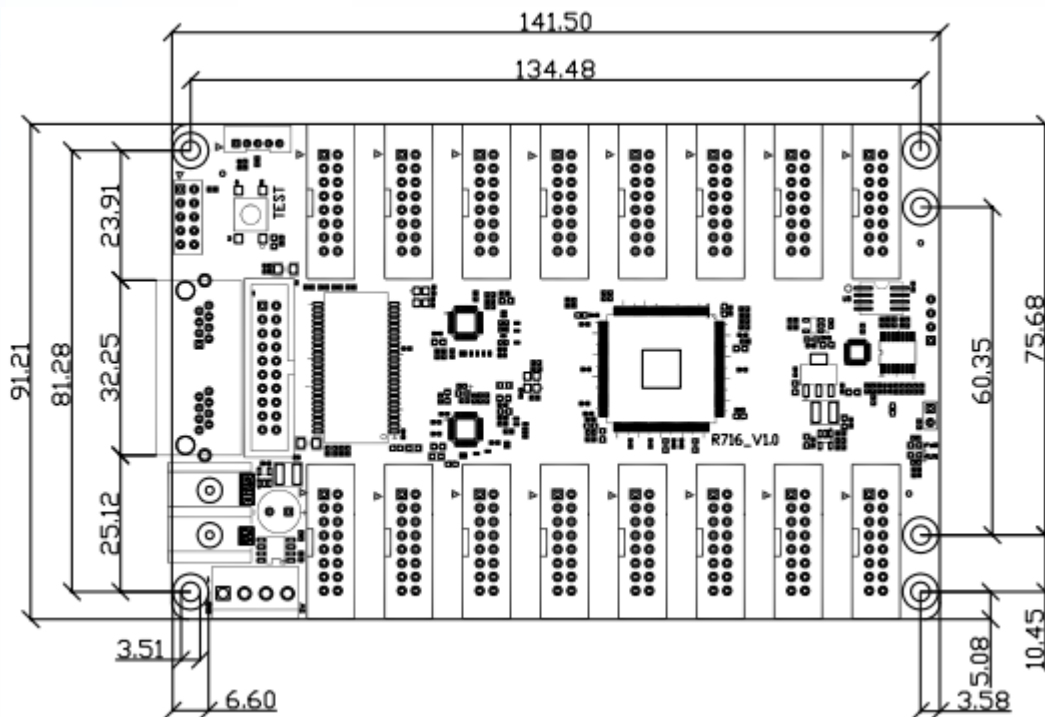
Features	Parameters
<b>With sending card</b>	Dual-mode sending box, Asynchronous sending card, Synchronous sending card, Video processor of VP series.
<b>Module type</b>	Compatible with all common IC module, supported most PWM IC module.
<b>Scan mode</b>	Supports any scanning method from static to 1/128 scan
<b>Communication method</b>	Gigabit Ethernet
<b>Control range</b>	Maximum loading capacity: 327,680 pixels (512*640) conventional chip 160*1024, 256*640, PWM chip 320*1024, 256*1280, 512*640 Note: The actual loading capacity is related to the number of HUB ports/module resolution.
<b>Multi-card connection</b>	Receiving card can be put in any sequence
<b>Gray scale</b>	256~65536
<b>Smart setting</b>	A few simple steps to complete the smart settings, through the screen layout can be set to go with any alignment of the screen unit board
<b>Test functions</b>	Receiving card integrated screen test function, Test display brightness uniformity and display module flatness.
<b>Communication distance</b>	Super Cat5, Cat6 network cable within 80 meters
<b>Port</b>	5V DC Power*2, 1Gbps Ethernet port*2, HUB75E*16
<b>Input voltage</b>	4.0V-5.5V
<b>Power</b>	5W

### 3. Connection Method

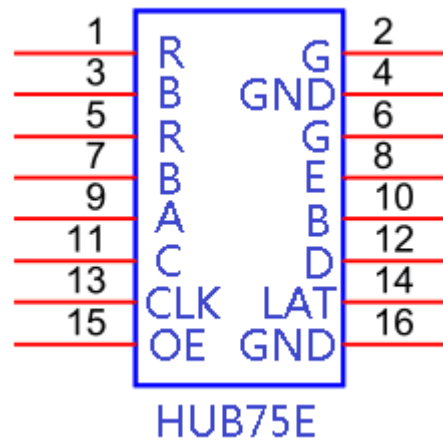
Connection diagram of connecting R716 with display player box:



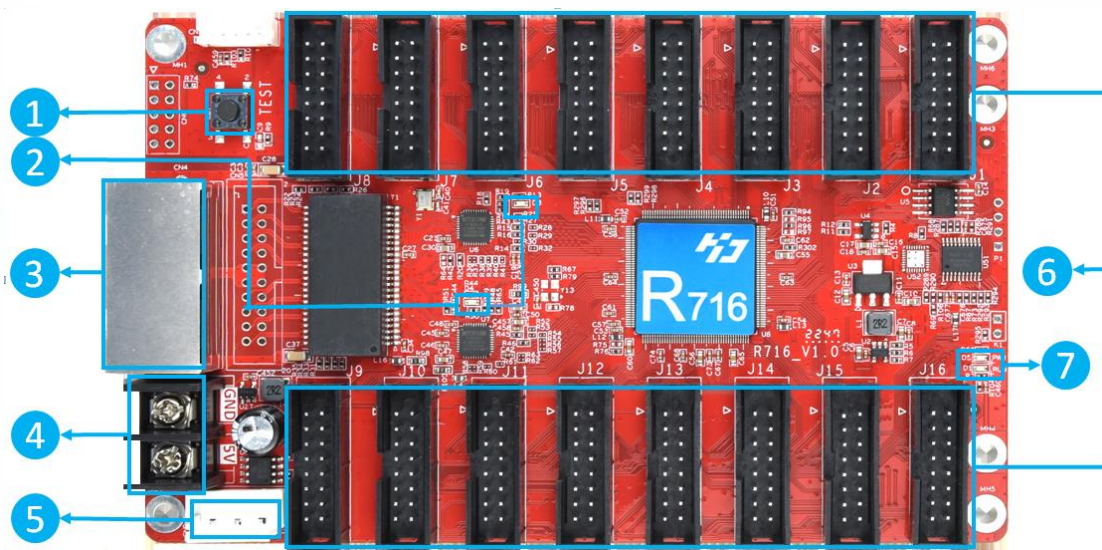
### 4. Dimensions



## 5. Interface Definition



## 6. Appearance Description



- ①: Test button, used to test display brightness uniformity and display module flatness;
- ②: Gigabit network indicator, D3、D4 for 2 Gigabit Ethernet port, no link—always off, link but not act—always on, link and act—flashing;
- ③: Gigabit Ethernet port, used to connect the sending card or receiving card, the same two network ports are interchangeable;

- ④： Power interface, can be accessed with 4.0V ~ 5.5V DC voltage;
- ⑤： Power interface, can be accessed with 4.0V ~ 5.5V DC voltage; (④,⑤ connect one of them is ok.)
- ⑥： HUB75Eport, connect to the modules;
- ⑦： Work indicator

Indicator	Color	Status	Description
PWR (D5)	Green	Always on	The power supply is normal.
RUN (D1)	Green	Flashing once every 2s	Ethernet cable connection is abnormal, or no video source input.
		Flashing 4 times every 1s	The receiving card is functioning normally. Ethernet input is available.
		Flashing 5 times in 2.5s, and off 1.5s	receiving card parameter locked state

## 7. Technical Parameters

	Minimum	Typical	Maximum
<b>Rated voltage(V)</b>	4.0	5.0	5.5
<b>Storage temperature(°C)</b>	-40	25	105
<b>Work environment temperature(°C)</b>	-40	25	80
<b>Work environment humidity (%)</b>	0.0	30	95
<b>Net weight (g)</b>	112		
<b>Certificate</b>	CE, FCC, RoHS		

## Precautions

- 1) ensure the system long-term stable running, please keep to use the standard 5V power supply voltage.
- 2) Different production batches, color appearance and labels may be different.