

Product Specifications

Full Color Asynchronous Control Card

HD-C35

V1.0 20190508

System Overview

HD-C35 Full Color Asynchronous Controller System is a LED control system that supports mobile APP control, Web remote control and offline play HD Video.

Support computer control software *HDPlayer*, mobile phone control software *LedArt* and *HD Cloud Platform*.

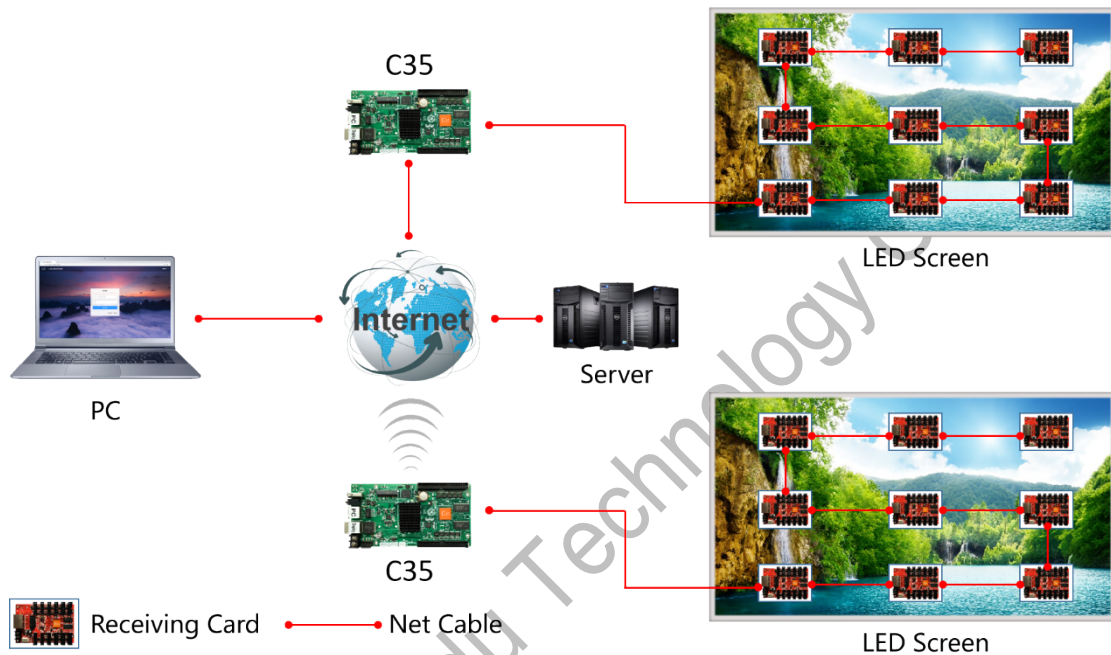
HD-C35 integrated sending card and receiving card function, can single cassette with small screen, can also add HD-R50X receiving card control bigger screen.

Controlling System Configuration

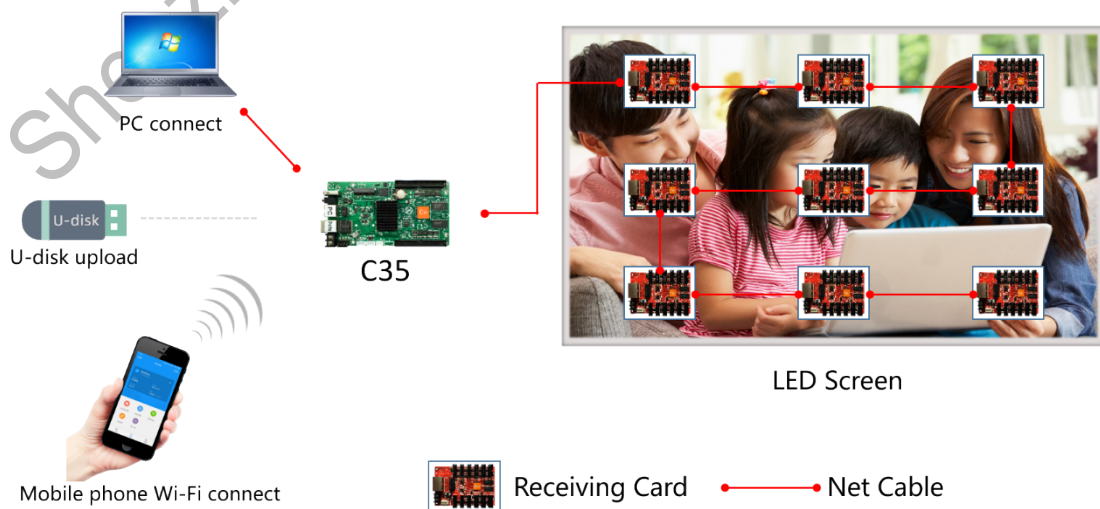
Product	Type	Functions
Async controller Card	HD-C35	Asynchronous core control panel, with storage capabilities, can be connected to the screen body.
Receiving Card	R50X Series	Connected with screen, Showing program in Screen.
Control Software	HDPlayer	Screen parameters setting, edit & send program etc.

Control mode

1. Internet unified management: The play box can be connected to the Internet through 3G/4G (optional), network cable connection, or Wi-Fi Bridge.



2. Asynchronous one-to-one control: Update programs by network cable connections, Wi-Fi connections or USB flash drives. LAN (cluster) control can access the LAN network through by network cable connection or Wi-Fi Bridge.



Product features

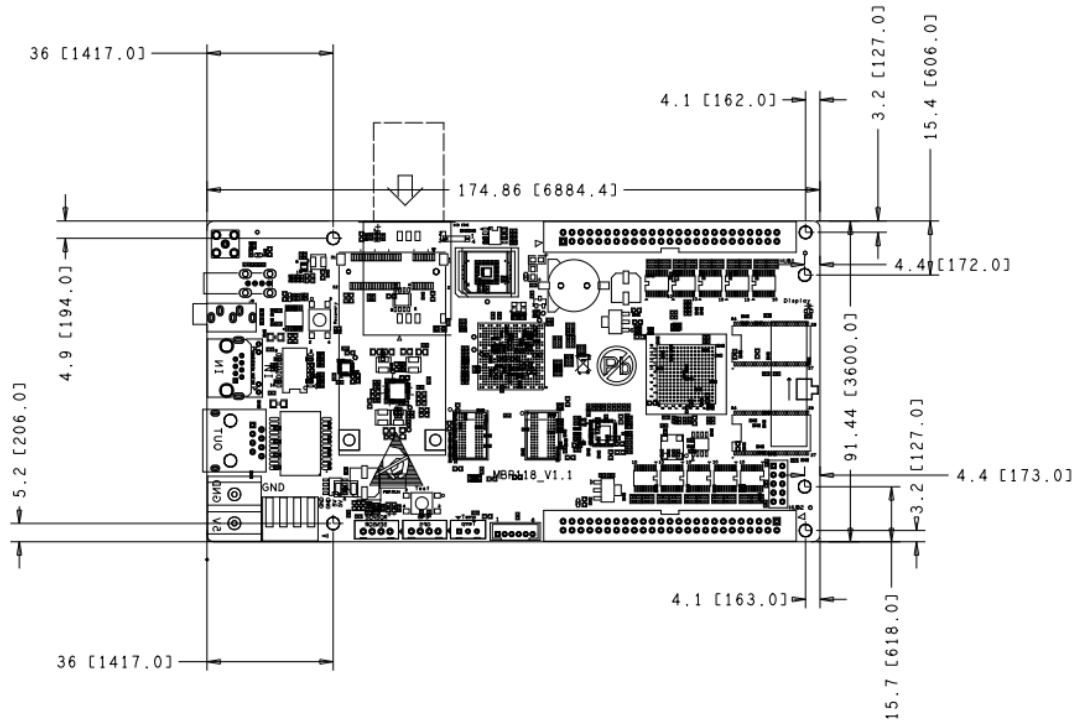
- Control Range: 1024*512.
- 4GB memory, support expanding memory by U-disk.
- Support HD video hardware decoding, 60Hz frame rate output.
- Support widest 1024 pixel, Highest 1024.
- No need set IP address, it could be identified by controller ID automatically.
- Unified management of more LED display through Internet or LAN.
- Support Wi-Fi connection, Mobile APP management.
- Equipped 3.5mm standard audio interface output.
- Support 3G/4G connect to Internet (Optional).

System function list

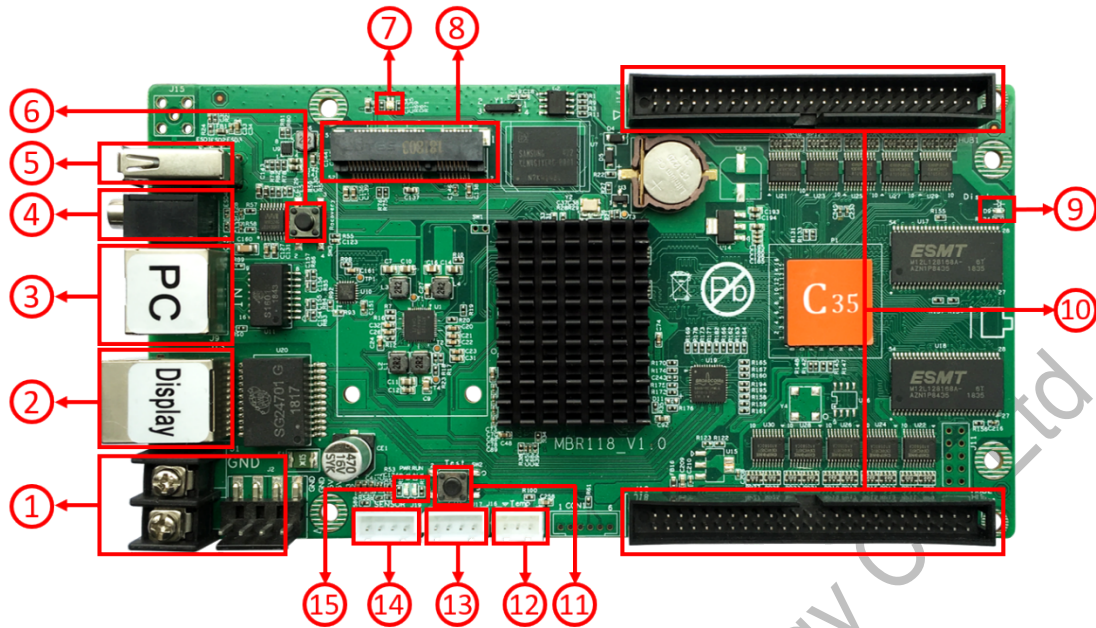
Module type	Compatible with indoor and outdoor full color and single color module Support conventional chip and mainstream PWM chip
Scan Mode	Static to 1/64 scan mode
Control Range	1024(W)*512(H), widest 1024, highest 1024
Gray Scale	256-65536
Basic functions	Video, Pictures, Gif, Text, office, Clocks, Timing etc. Remote, Temperature, Humidity, Brightness etc.
Video format	Support 1080P HD video hardware decoding, direct transmission, without transcoding waiting. 60Hz frame frequency output; AVI, WMV, MP4, 3GP, ASF, MPG, FLV, F4V, MKV, MOV, DAT, VOB, TRP, TS, WEBM, etc.
Image Format	Support BMP, GIF, JPG, PNG, PBM, PGM, PPM, XPM, XBM etc.
Text	Text editing, Image, Word, Txt, Rtf, Html etc.
Document	DOC, DOCX, XLSX, XLS, PPT, PPTX etc. Office2007 Document format.
Time	Classic Analog clock, digital clock and various of clock with image background.
Audio output	Double track stereo audio output.
Memory	4GB Flash memory; Indefinite expanding of U-disk memory.
Communication	100M RJ45 Ethernet, 3G/4G (Internet), Wi-Fi, USB, LAN.
Working Temperature	-20°C-80°C
Port	IN: 5V DC*1, 100 Mbps RJ45*1, USB 2.0*1, test button*1 OUT: 1Gbps RJ45*1, AUDIO*1

Dimension Chart

HD- C35 dimension chart follow:



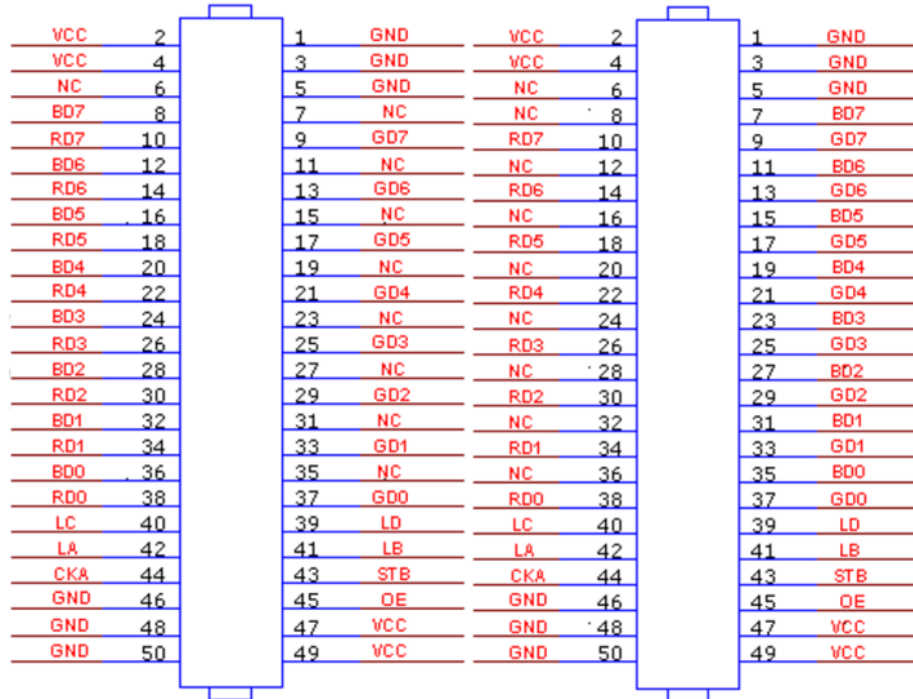
Appearance Description



- 1) Power Supply port: connected 5V DC power supply.
- 2) Output network port: 1000Mbps network port, connect to receiving card.
- 3) Input Network port: Connect to PC or router.
- 4) Audio output port: support standard two-track stereo output.
- 5) USB port: connected to USB device, e.g. U-disk, Mobile hard disk etc.
- 6) Recovery button: Reply to default parameters.
- 7) Wi-Fi and 3G/4G module indicator light: Wi-Fi and 3G/4G module work state.
- 8) Mini PCIE port: connected Wi-Fi or 3G/4G module.
- 9) Display indicator light: working status is Flicking.
- 10) HUB75E port: connected to LED modules.
- 11) Temp port: connected temp sensor.
- 12) Test button: LED screen burn-in test.
- 13) GPS port: connected GPS module.
- 14) Sensor port: connected S108 and S208 sensor.
- 15) Controller work state indicator light: D1 is Power lamp, D2 is RUN lamp.

Interface definition

Onboard 2 50PIN HUB port



General Full Color Port1

General Full Color Port 2

Technical Parameters

	Minimum	Typical value	Maximum
Rated voltage(V)	4.2	5.0	5.5
Storage temperature(°C)	-40	25	105
Work environment temperature(°C)	-40	25	80
Work environment humidity (%)	0.0	30	95

Precaution

- 1) To ensure that the control card is stored during normal operation, make sure the battery on the control card is not loose,
- 2) In order to ensure the long-term stable operation of the system; please try to use the standard 5V power supply voltage.

Shenzhen Huidu Technology Co., Ltd