

Product Specifications

Full color controller series

HD-WF1

V0.1 20200617

1. Overview

HD-WF1 (abbr WF1) equipped with 1HUB75E Port. It is a full color series of control card. It supports Wi-Fi and U disk to update programs. It is suitable for door lintel led screens, store signboard screens, Vehicle-mounted screen and other occasions.

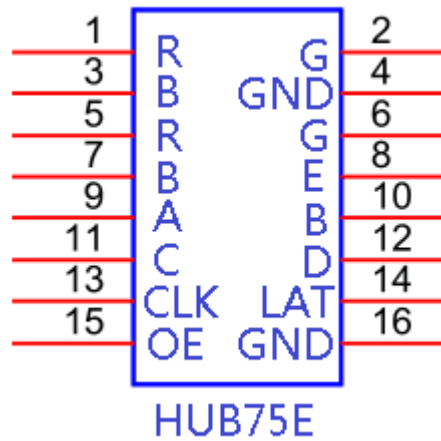
Application software: HD2020 and LedArt (APP). The software interface is simple, the operation is convenient, and the rich display mode has the characteristics of low cost and high cost performance, and supports various full-color led modules.

2. Features

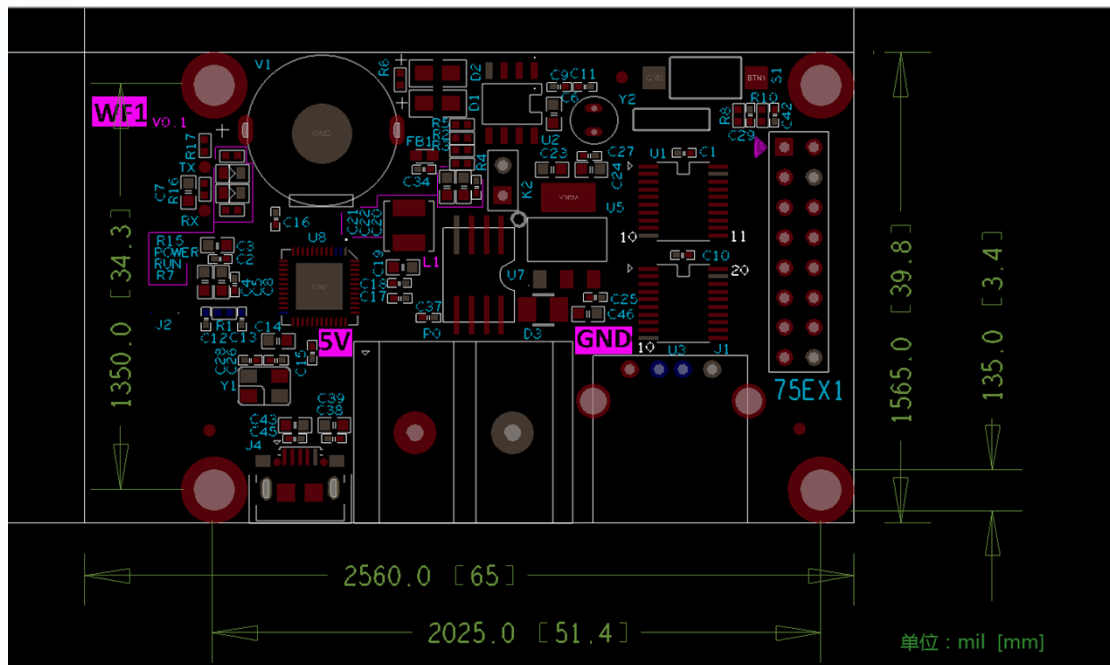
Functions	Description
Support Module	Support HUB75port full color module, support normal and ICN2038 IC
Scan mode	Support static to 1/32S
Control range	640*32、320*64
Communication Port	Wi-Fi, U-Disk
FLASH Capacity	4M Byte
Support RGB	Full-color module can display red, green, blue, yellow, Purple, green, white
Gray level	8 level, support full color text
Program Quantity	999 programs, support switch the program by wifi remote
Area Quantity	20 pcs areas with separate zone and separate special effects and border
Display Showing	Text、Animated word、3D Word、Image & Text (Picture、SWF)、Excel、Time、Temperature (humidity)、Timing、Count、Lunar calendar
Automatic switch screen	Support timer switch machine
Dimming	Support brightness setting, time period brightness setting
Power supply	Micro USB, standard 5V
Certification	CE、FCC、RoHS

3. Port Definition

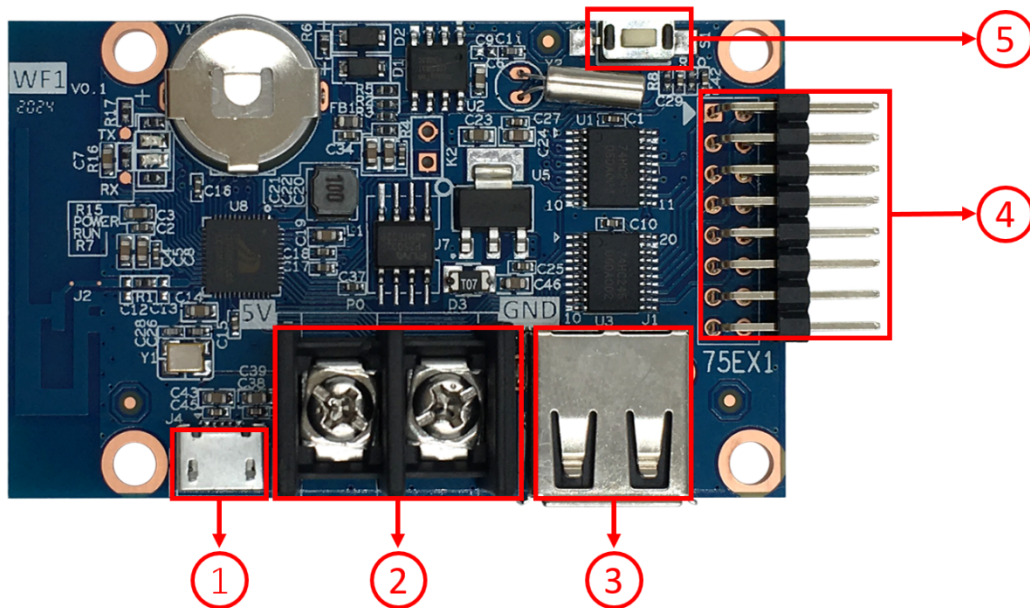
One HUB75E Port



4. Setup Diagram



5. Appearance description



- ① . Micro-USB port, for 5V power supply, can power by Micro-USB cable directly.
- ② . 5V standard power connector, sharing with Micro-USB, can power to LED module directly
- ③ . USB ports, for updating programs by U-disk
- ④ . HUB75E port for connecting to LED Display
- ⑤ . Test key, for testing LED screen status

6. Basic parameters

	Minim um	Typica l value	Maxim um
Rated voltage (V)	4.2	5.0	5.5
Storage temperature (°C)	-40	25	105
Work environment humidity (°C)	-40	25	80
Work environment humidity (%)	0.0	30	95

Precautions

- 1) To ensure that the control card is stored during normal operation, make sure the battery on the control card is not loose;
- 2) In order to ensure the long-term stable operation of the system; please try to

use the standard 5V power supply voltage.